



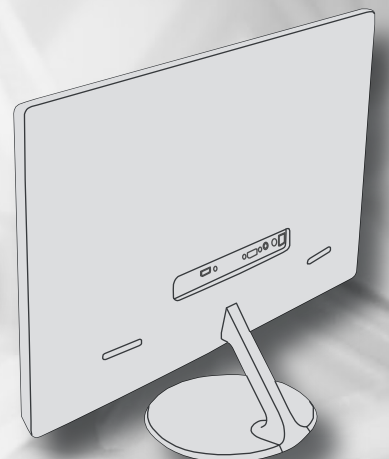
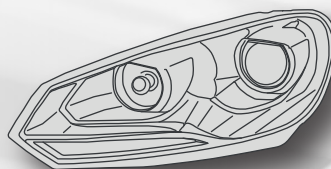
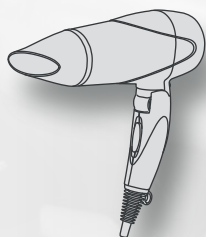
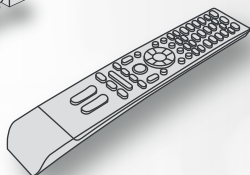
Your recycling needs. Our grinding solutions.

## INJECTION MOULDING

Granulator for IMM up to 200 m/Tons,  
in line runners up to 150°C, cold scraps

Grinding of all plastics, from TPU to PA6.6,  
filled with glass up to 25%

Optimal in-feed of the regrind material  
into dosing and feeding system



## Regrind quality material

Homogeneous and uniform regrind constantly produced. Mechanical and physical properties of plastics unchanged.



- Rotary discs integral with the rotor and containment rings avoid overheating and dust production

## Efficient solutions

Diverse production range of machines for recovery of scraps of varying size and weight maintenance reduced to the minimum.



- Shape, orientation and shutter of hoppers greatly reduce fly-back

## Energy efficiency

Low running cost expressed in kWh/kg. Reaction power  $\cos\phi$  reduced to minimum thus having a direct impact on hourly energy cost.



- Keys for the fixing of motor pulley and fly-wheel
- Pulley and fly-wheel design gives higher inertia

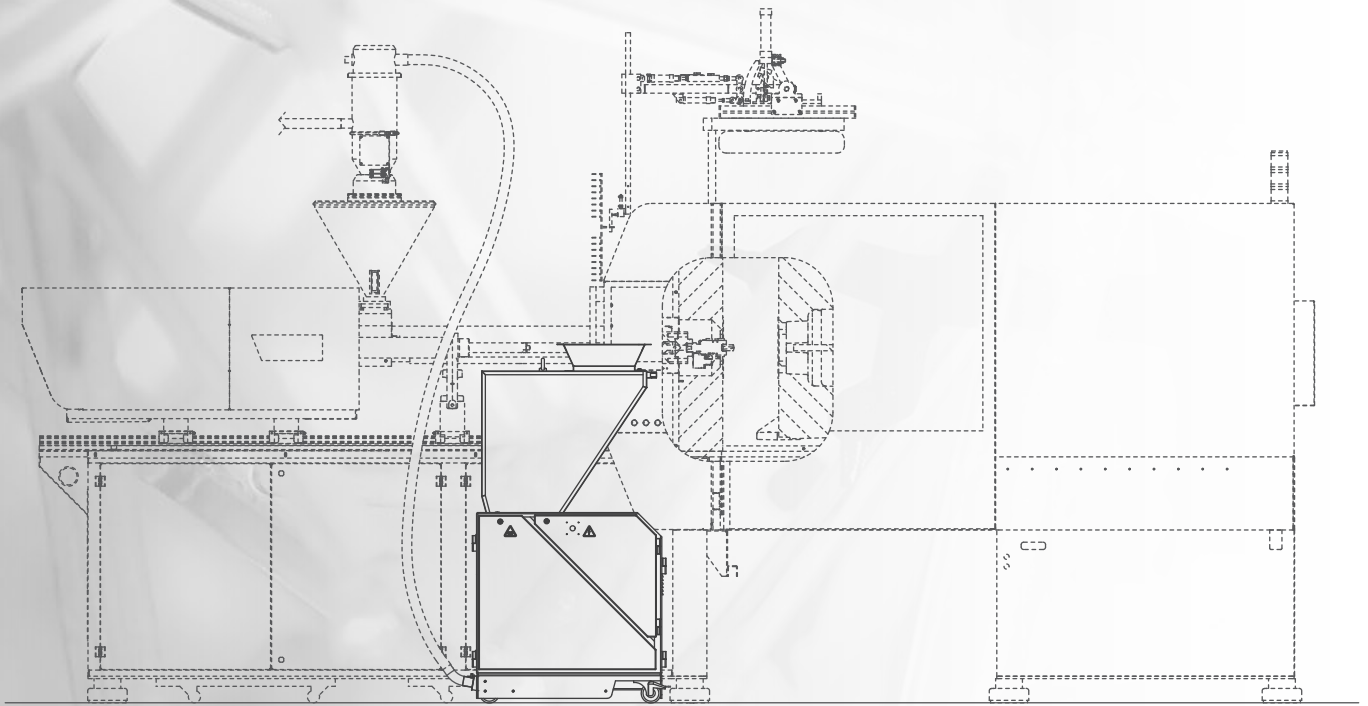
## Easy operation and maintenance

Reduced maintenance frequency and downtime by advance engineering design. Safety of operator during use and maintenance.



- Easy tool free access to screen, hopper, grinding chamber

# System



## Our granulators



JM Series  
JM 2115  
JM 4215



JN Series  
JN 2115  
JN 4215



JM Series  
JM 3220  
JM 4220  
JM 2018



JS Series  
JS 2811  
JS 3911



Your recycling needs. Our grinding solutions.

TRIA Italy  
[www.triaplastics.com](http://www.triaplastics.com)

TRIA America  
TRIA Brazil

TRIA China  
TRIA Germany